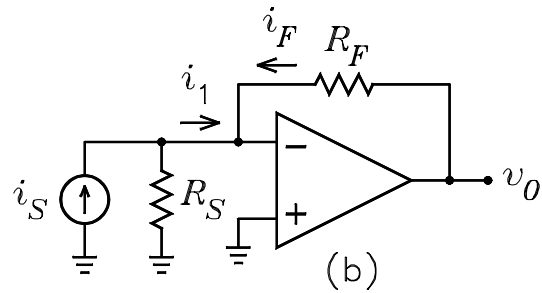
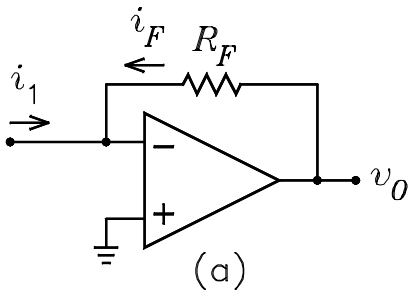
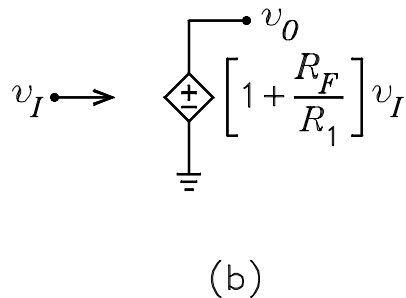
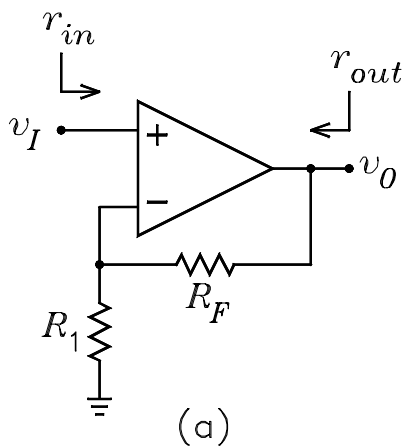


(a) Inverting amplifier with T feedback network. (b) Equivalent circuit for calculating the output voltage.



(a) Current to voltage converter. (b) Current to voltage converter with Norton input source.



(a) Non-inverting amplifier. (b) Controlled-source equivalent circuit.