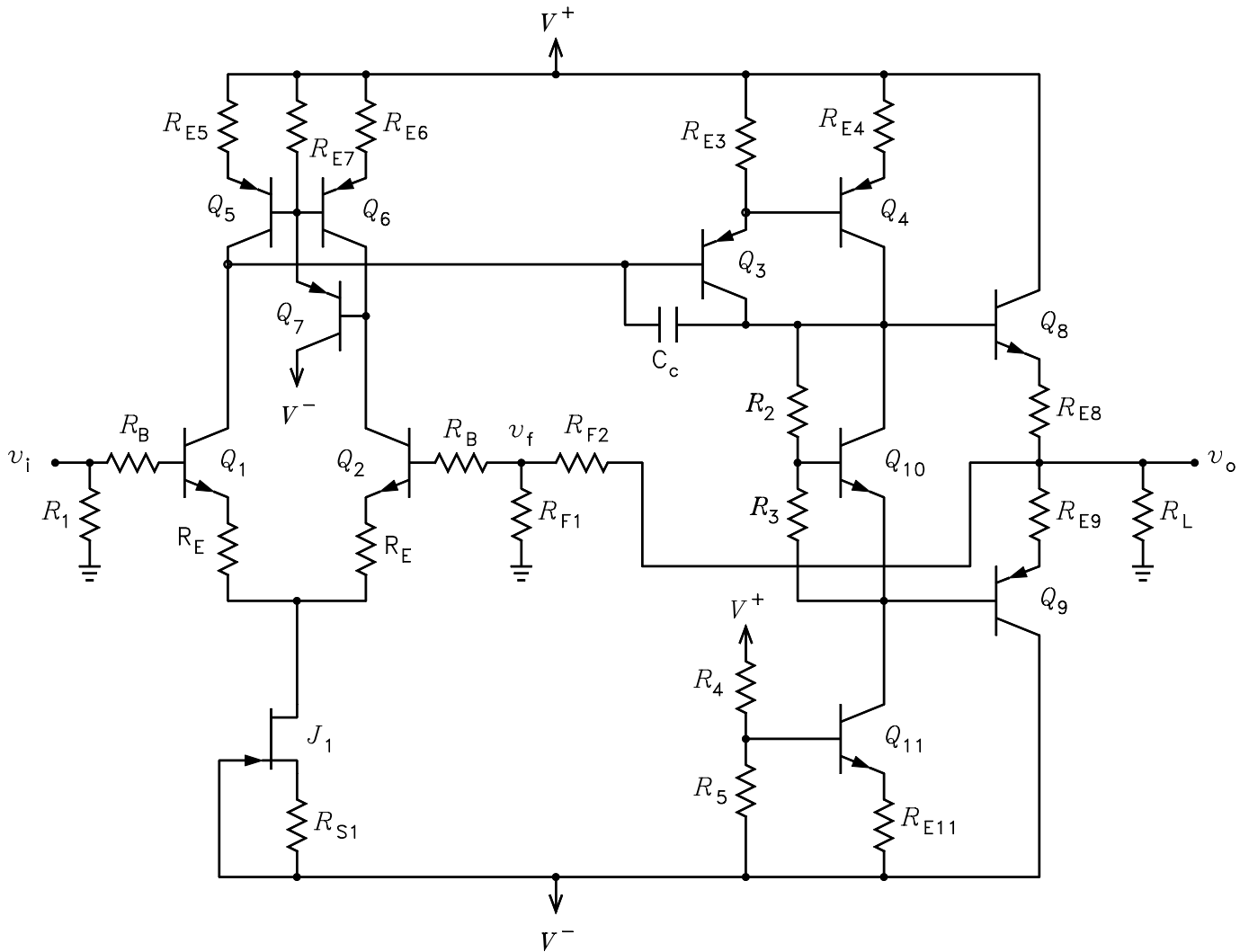


A BJT Op Amp Connected as a Non-Inverting Amplifier



Equivalent Circuit Using the Op Amp Symbol

