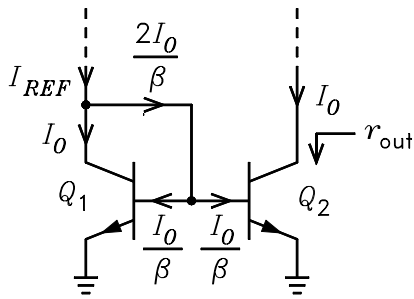
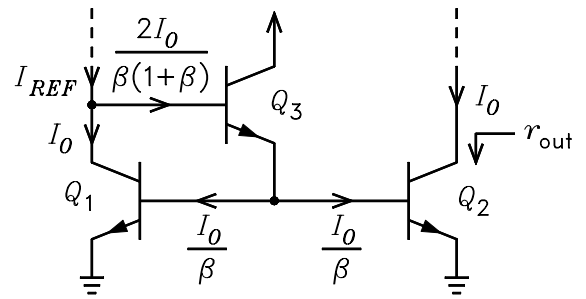


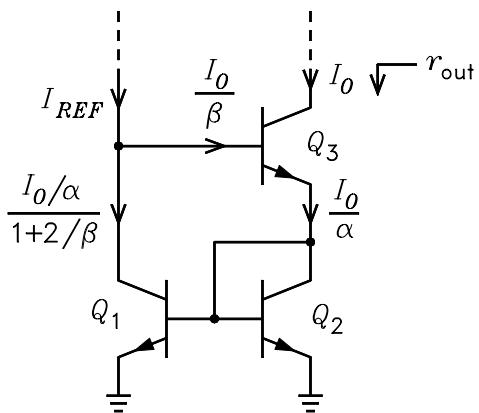
Current Mirror



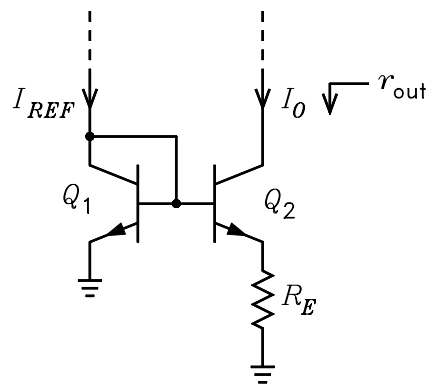
Current Mirror with Base Current Compensation



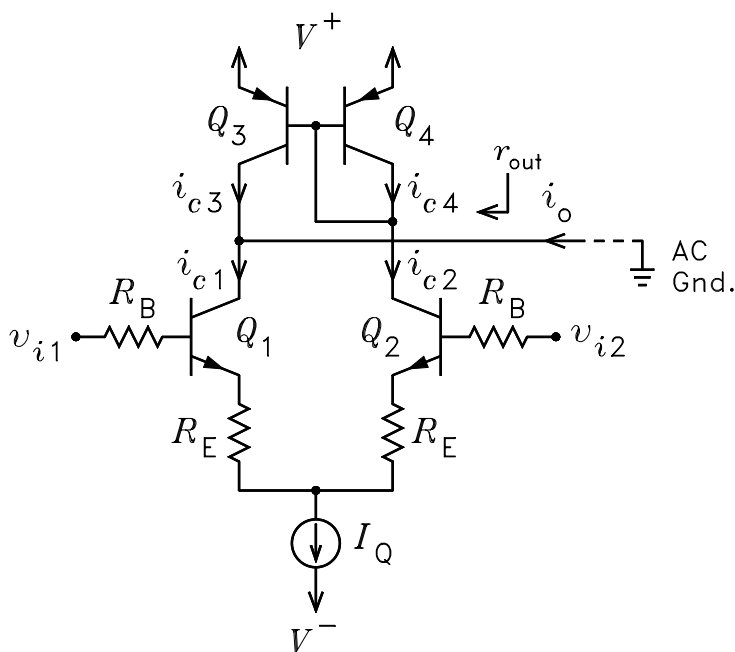
Wilson Current Mirror



Low-Level Current Mirror



BJT Diff Amp with Current Mirror Load



MOSFET Diff Amp with Current Mirror Load

