

## Memory System Design

### Part A

How many address lines does the memory system require? 22

How many data lines does the memory system require? 16

What kind of address decoder is required? none

### Part B

How many address lines does the memory system require? 23

How many data lines does the memory system require? 8

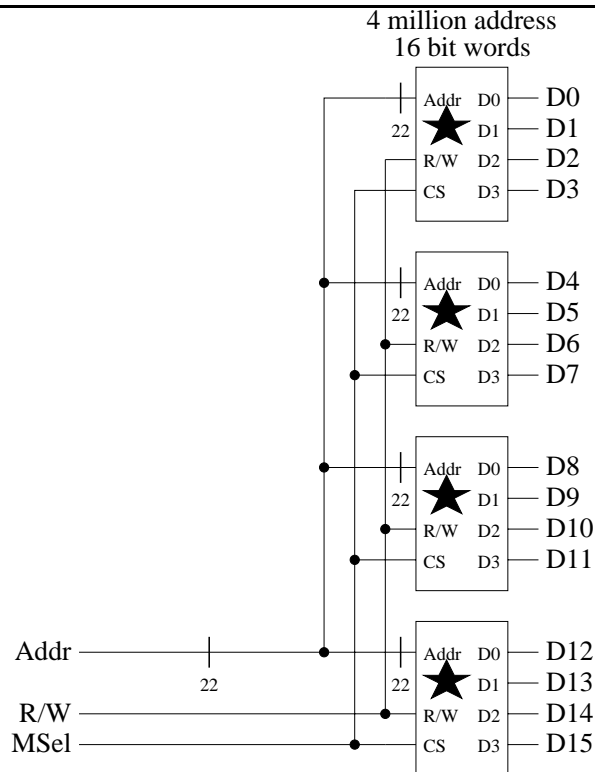
### Part C

How many address lines does the memory system require? 24

How many data lines does the memory system require? 4

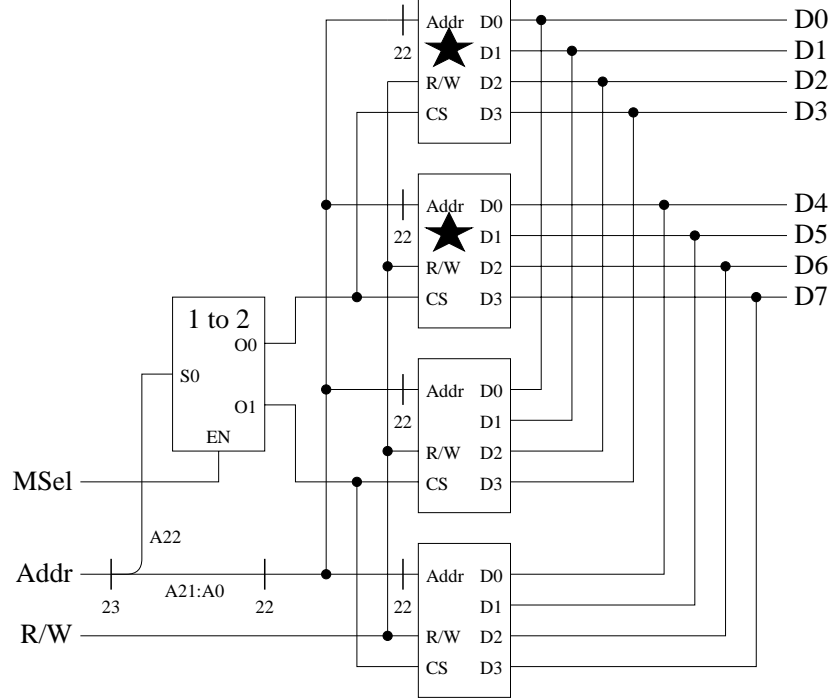
What kind of address decoder is required? 2 to 4

### Part D



---

8 million address  
8 bit words



---

16 million address  
4 bit words

