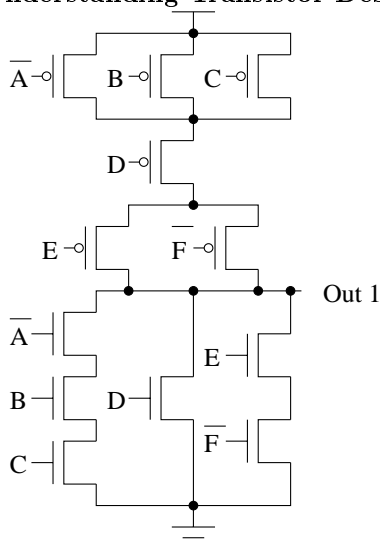
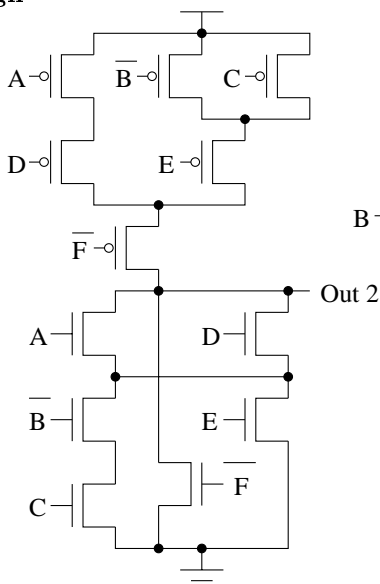


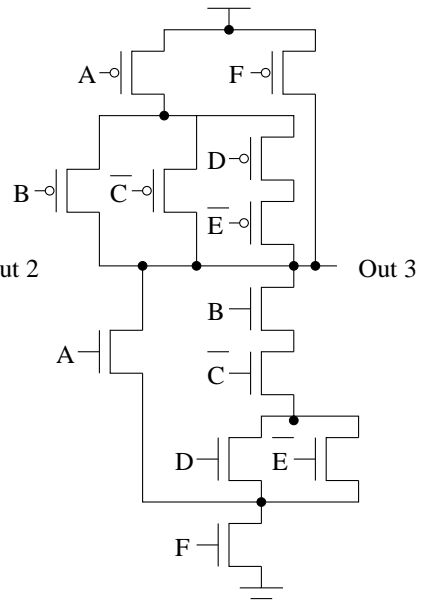
Understanding Transistor Design



$$Out_1 = (A + \bar{B} + \bar{C}) \bar{D} (\bar{E} + F)$$



$$Out_2 = (\bar{A} \bar{D} + (B + \bar{C}) \bar{E}) F$$



$$Out_3 = \bar{A} (\bar{B} + C + \bar{D} E) + \bar{F}$$