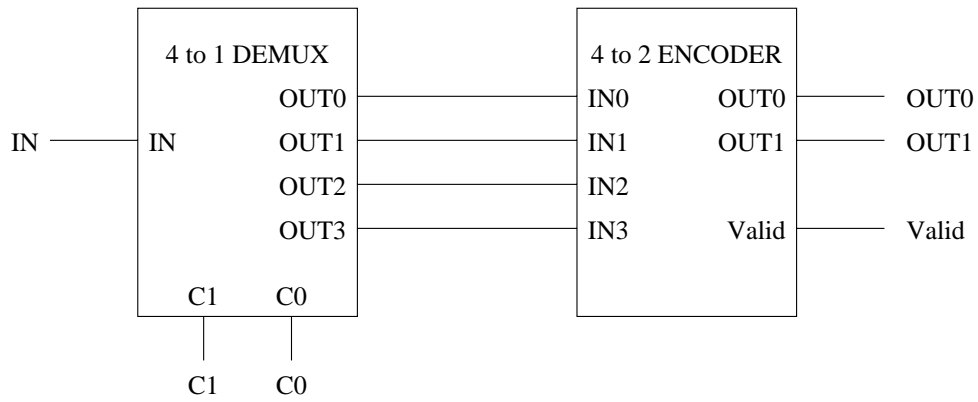


### Demultiplexer Decoder

Complete the truth table for the circuit below. Assume unselected outputs from the demultiplexer are zero.



$IN$	$C_1$	$C_0$	$Out_1$	$Out_0$	Valid
0	X	X			
1	0	0			
1	0	1			
1	1	0			
1	1	1			