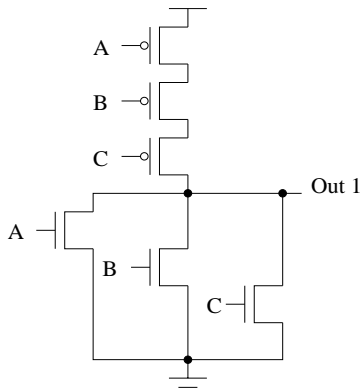
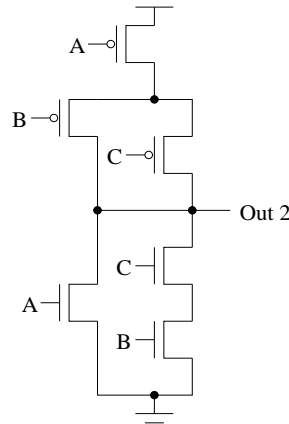


Transistor-Level Circuit Understanding

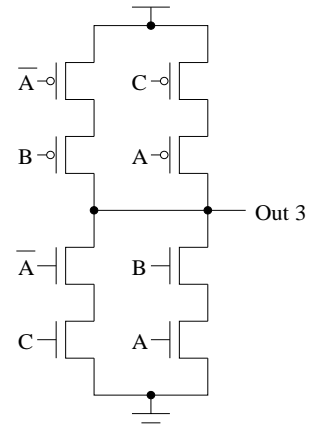
For each of the following switch level circuits, complete the truth table computed. If a floating or shorted output is detected, indicate that in the truth table. If no floats or shorts are detected, write the boolean expression computed by the circuit.



C	B	A	Out ₁
0	0	0	
0	0	1	
0	1	0	
0	1	1	
1	0	0	
1	0	1	
1	1	0	
1	1	1	

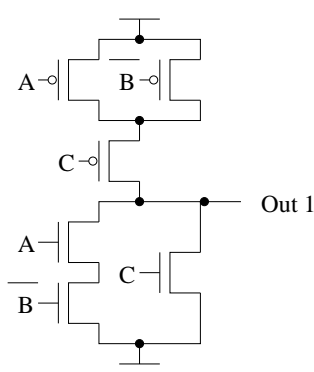


C	B	A	Out ₂
0	0	0	
0	0	1	
0	1	0	
0	1	1	
1	0	0	
1	0	1	
1	1	0	
1	1	1	



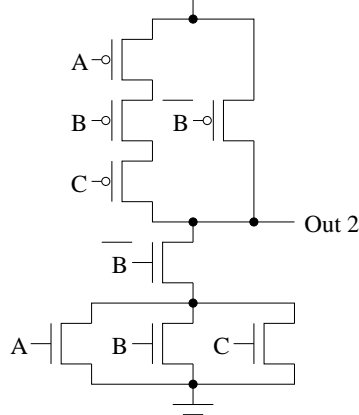
C	B	A	Out ₃
0	0	0	
0	0	1	
0	1	0	
0	1	1	
1	0	0	
1	0	1	
1	1	0	
1	1	1	

Out₁ = _____



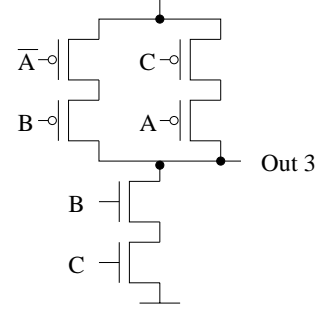
C	B	A	Out ₁
0	0	0	
0	0	1	
0	1	0	
0	1	1	
1	0	0	
1	0	1	
1	1	0	
1	1	1	

Out₂ = _____



C	B	A	Out ₂
0	0	0	
0	0	1	
0	1	0	
0	1	1	
1	0	0	
1	0	1	
1	1	0	
1	1	1	

Out₃ = _____



C	B	A	Out ₃
0	0	0	
0	0	1	
0	1	0	
0	1	1	
1	0	0	
1	0	1	
1	1	0	
1	1	1	

Out₁ = _____

Out₂ = _____

Out₃ = _____